

# DUCATO

## GOODS TRANSPORT

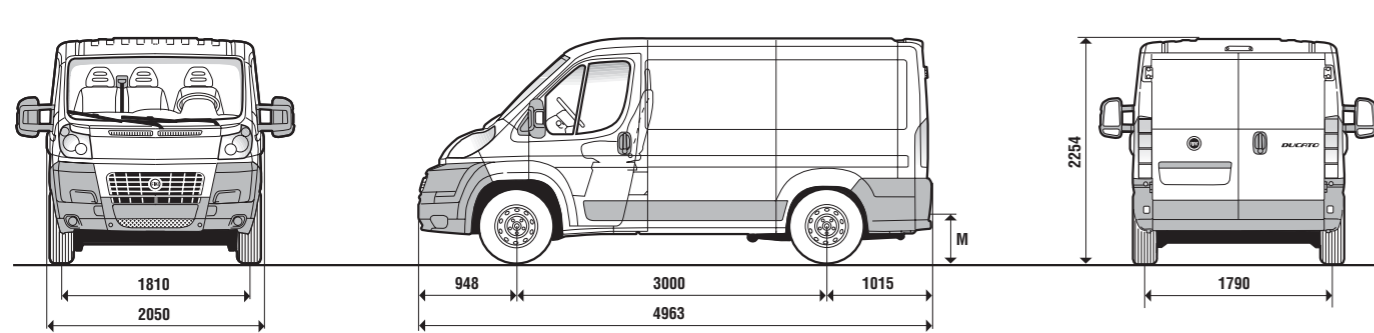


TECHNICAL SPECIFICATIONS AND EQUIPMENT



PROFESSIONAL

## 3000 MM WHEELBASE VANS.

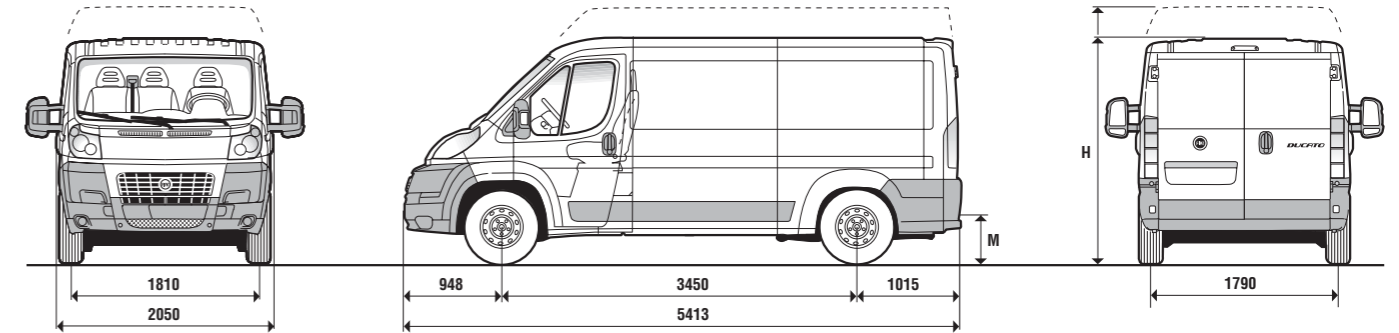


Dimensions (mm)	Van 30
Wheelbase	3000
Maximum length	4963
Maximum width	2050
Front track	1810
Rear track	1790
Maximum height (unladen)	2254
Front overhang	948
Rear overhang	1015
<b>Rear door</b>	
Width	1562
Height	1520
<b>Side door</b>	
Width	1075
Height	1485
<b>Loading compartment</b>	
Length	2670
Width	1870
Width between wheelarches	1422
Height	1662
M Height of load threshold (unladen)	535

8 m <sup>3</sup> volume	Van 30	
	100 MultiJet	120 MultiJet
Engines		
Vehicle weight <sup>▲</sup> (unladen) (kg)	1845	1860
Payload <sup>▼</sup> (kg)	1155	1140
GVW (kg)	3000	3000
Top speed (mph)	87	96

<sup>▲</sup> Ready for the road, with water, fuel, oil, spare wheel, tools and accessories <sup>▼</sup> Including driver

## 3450 MM WHEELBASE VANS.



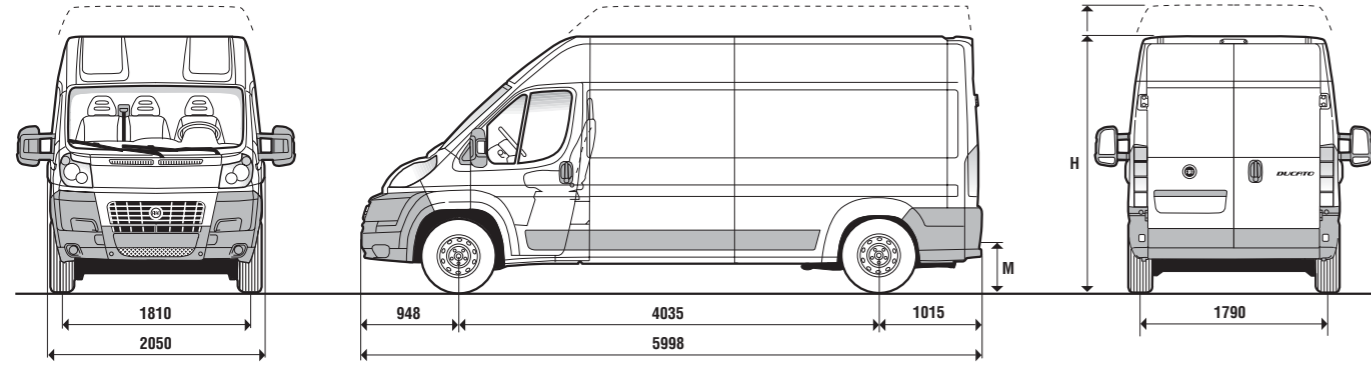
Dimensions (mm)	Van 30		Van 33		Van 35
	Standard roof	High roof	Standard roof	High roof	High roof
Wheelbase	3450	3450	3450	3450	3450
Maximum length	5413	5413	5413	5413	5413
Maximum width	2050	2050	2050	2050	2050
Front track	1810	1810	1810	1810	1810
Rear track	1790	1790	1790	1790	1790
H Maximum height (unladen)	2254	2524	2254	2524	2524
Front overhang	948	948	948	948	948
Rear overhang	1015	1015	1015	1015	1015
<b>Rear door</b>					
Width	1562	1562	1562	1562	1562
Height	1520	1790	1520	1790	1790
<b>Side door</b>					
Width	1250	1250	1250	1250	1250
Height	1485	1755	1485	1755	1755
<b>Loading compartment</b>					
Length	3120	3120	3120	3120	3120
Width	1870	1870	1870	1870	1870
Width between wheelarches	1422	1422	1422	1422	1422
Height	1662	1932	1662	1932	1932
M Height of load threshold (unladen)	540	540	540	540	540

10 m <sup>3</sup> volume	Van 30	Van 33
	100 MultiJet	120 MultiJet
Engines		
Vehicle weight <sup>▲</sup> (unladen) (kg)	1885	1900
Payload <sup>▼</sup> (kg)	1115	1400
GVW (kg)	3000	3300
Top speed (mph)	87	96

11.5 m <sup>3</sup> volume	Van 30 High roof	Van 33 High roof	Van 35 High roof
	120 MultiJet	120 MultiJet	160 MultiJet
Engines			
Vehicle weight <sup>▲</sup> (unladen) (kg)	1925	1925	1975
Payload <sup>▼</sup> (kg)	1075	1375	1575
GVW (kg)	3000	3300	3500
Top speed (mph)	94	93	99

<sup>▲</sup> Ready for the road, with water, fuel, oil, spare wheel, tools and accessories <sup>▼</sup> Including driver

## 4035 MM WHEELBASE VANS

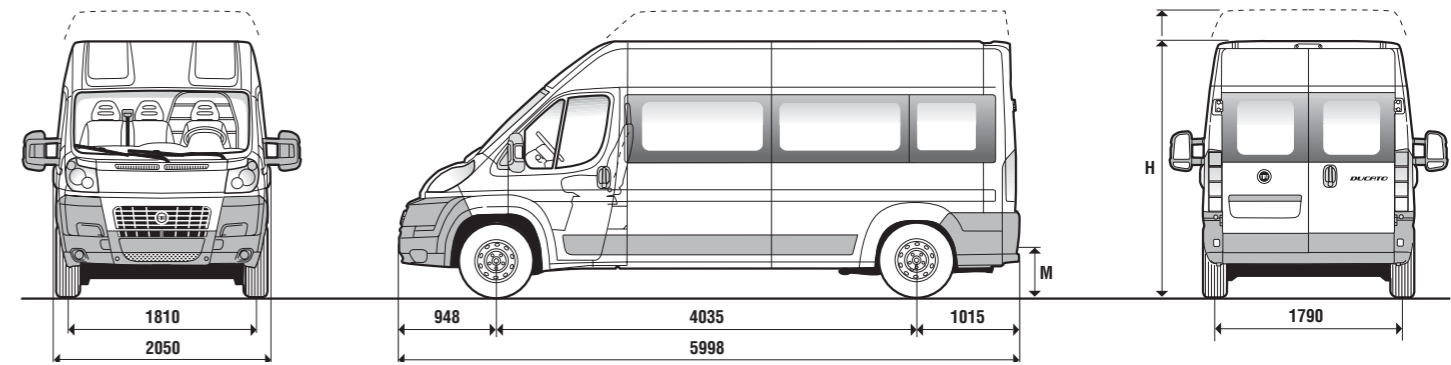


Dimensions (mm)	Van 33 High roof	Van 35 High roof
Wheelbase	4035	4035
Maximum length	5998	5998
Maximum width	2050	2050
Front track	1810	1810
Rear track	1790	1790
H Maximum height (unladen)	2524	2524
Front overhang	948	948
Rear overhang	1015	1015
<b>Rear door</b>		
Width	1562	1562
Height	1790	1790
<b>Side door</b>		
Width	1250	1250
Height	1755	1755
<b>Loading compartment</b>		
Length	3705	3705
Width	1870	1870
Width between wheelarches	1422	1422
Height	1932	1932
M Height of load threshold (unladen)	545	545

13 m <sup>3</sup> volume	Van 33 High roof		Van 35 High roof	
	120 MultiJet	160 MultiJet	120 MultiJet	160 MultiJet
Engines				
Vehicle weight▲ (unladen) (kg)	1975	2025	1975	2025
Payload▼ (kg)	1325	1275	1525	1475
GVW (kg)	3300	3300	3500	3500
Top speed (mph)	94	99	93	99

▲ Ready for the road, with water, fuel, oil, spare wheel, tools and accessories ▼ Including driver

## 4035 MM WHEELBASE WINDOW VANS

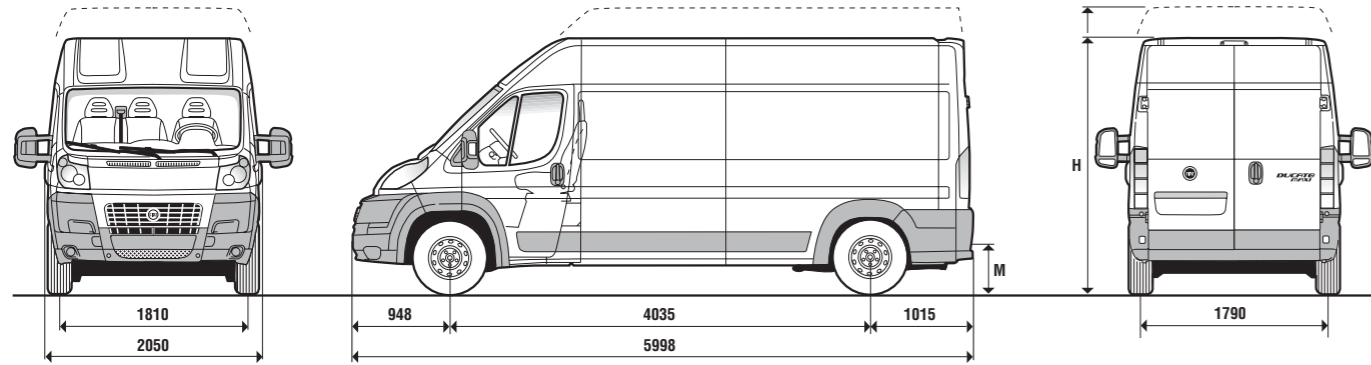


Dimensions (mm)	Van 35 High roof
Wheelbase	4035
Maximum length	5998
Maximum width	2050
Front track	1810
Rear track	1790
H Maximum height (unladen)	2524
Front overhang	948
Rear overhang	1015
<b>Rear door</b>	
Width	1562
Height	1790
<b>Side door</b>	
Width	1250
Height	1755
<b>Loading compartment</b>	
Length	3705
Width	1870
Width between wheelarches	1422
Height	1932
M Height of load threshold (unladen)	545

13 m <sup>3</sup> volume	Van 35 High roof
	120 MultiJet
Engines	
Vehicle weight▲ (unladen) (kg)	1975
Payload▼ (kg)	1525
GVW (kg)	3500
Top speed (mph)	93

▲ Ready for the road, with water, fuel, oil, spare wheel, tools and accessories ▼ Including driver

## 4035 MM WHEELBASE MAXI VANS

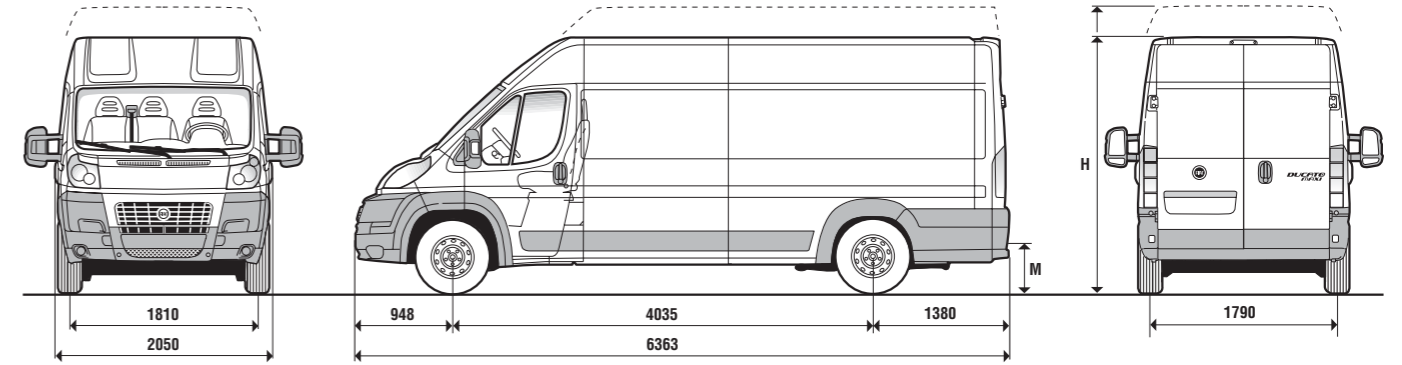


Dimensions (mm)	Van Maxi 35 High roof
Wheelbase	4035
Maximum length	5998
Maximum width	2050
Front track	1810
Rear track	1790
H Maximum height (unladen)	2524
Front overhang	948
Rear overhang	1015
<b>Rear door</b>	
Width	1562
Height	1790
<b>Side door</b>	
Width	1250
Height	1755
<b>Loading compartment</b>	
Length	3705
Width	1870
Width between wheelarches	1422
Height	1932
M Height of load threshold (unladen)	555

13m <sup>3</sup> Volume	Van Maxi 35 High roof	
Engines	120 MultiJet	160 MultiJet
Vehicle weight▲ (unladen) (kg)	2015	2065
Payload▼ (kg)	1485	1435
GVW (kg)	3500	3500
Top speed (mph)	93	90

▲ Ready for the road, with water, fuel, oil, spare wheel, tools and accessories ▼ Including driver

## 4035 MM WHEELBASE MAXI XL VANS



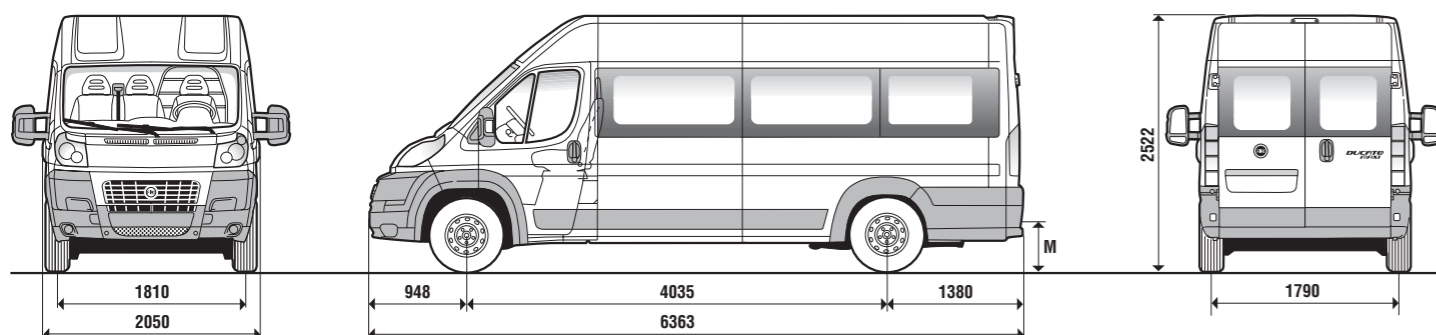
Dimensions (mm)	Van Maxi 35 XL		Van Maxi 40 XL	
	High roof	Super High roof	High roof	Super High roof
Wheelbase	4035	4035	4035	4035
Maximum length	6363	6363	6363	6363
Maximum width	2050	2050	2050	2050
Front track	1810	1810	1810	1810
Rear track	1790	1790	1790	1790
H Maximum height (unladen)	2524	2764	2524	2764
Front overhang	948	948	948	948
Rear overhang	1380	1380	1380	1380
<b>Rear door</b>				
Width	1562	1562	1562	1562
Height	1790	2030	1790	2030
<b>Side door</b>				
Width	1250	1250	1250	1250
Height	1755	1755	1755	1755
<b>Loading compartment</b>				
Length	4070	4070	4070	4070
Width	1870	1870	1870	1870
Width between wheelarches	1422	1422	1422	1422
Height	1932	2172	1932	2172
M Height of load threshold (unladen)	560	560	560	560

15m <sup>3</sup> Volume	Van Maxi 35 XL High roof		Van Maxi 40 XL High roof
Engines	120 MultiJet	160 MultiJet	160 MultiJet
Vehicle weight▲ (unladen) (kg)	2060	2110	2155
Payload▼ (kg)	1440	1390	1850
GVW (kg)	3500	3500	4005
Top speed (mph)	93	99	99

17m <sup>3</sup> Volume	Van Maxi 35 XL Super High roof	Van Maxi 40 XL Super High roof
Engines	160 MultiJet	160 MultiJet
Vehicle weight▲ (unladen) (kg)	2140	2185
Payload▼ (kg)	1360	1820
GVW (kg)	3500	4005
Top speed (mph)	96	96

▲ Ready for the road, with water, fuel, oil, spare wheel, tools and accessories ▼ Including driver

# 4035 MM WHEELBASE MAXI XL WINDOW VANS

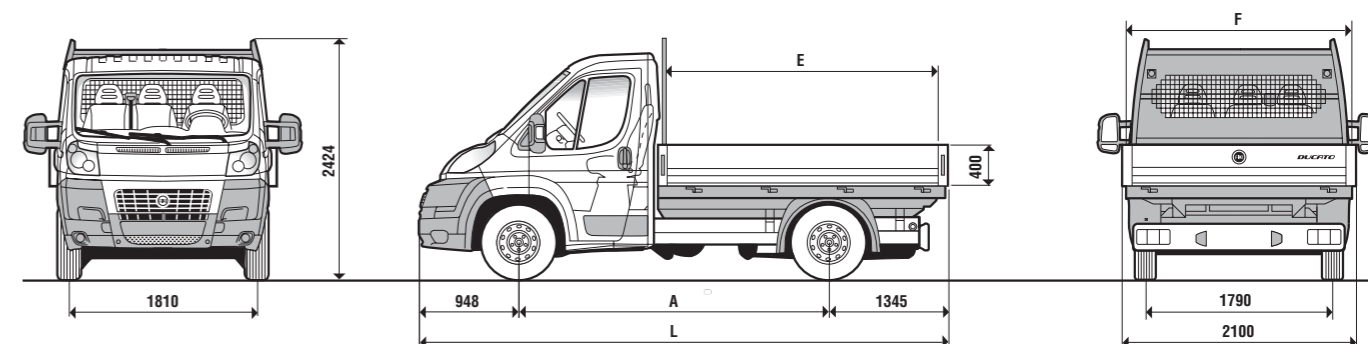


Dimensions (mm)	Van Maxi 35 XL High Roof	Van Maxi 40 XL High Roof
Wheelbase	4035	4035
Maximum length	6363	6363
Maximum width	2050	2050
Front track	1810	1810
Rear track	1790	1790
H Maximum height (unladen)	2524	2524
Front overhang	948	948
Rear overhang	1380	1380
<b>Rear door</b>		
Width	1562	1562
Height	1790	1790
<b>Side door</b>		
Width	1250	1250
Height	1755	1755
<b>Loading compartment</b>		
Length	4070	4070
Width	1870	1870
Width between wheelarches	1422	1422
Height	1932	1932
M Height of load threshold (unladen)	560	560

13m <sup>3</sup> Volume	Van Maxi 35 XL High Roof	Van Maxi 40 XL High Roof
Engines	120 MultiJet	120 MultiJet
Vehicle weight <sup>▲</sup> (unladen) (kg)	2060	2105
Payload <sup>▼</sup> (kg)	1440	1900
GVW (kg)	3500	4005
Top speed (mph)	93	93

▲ Ready for the road, with water, fuel, oil, spare wheel, tools and accessories ▼ Including driver

# DROPSIDE TRUCKS.



Dimensions (mm)	Truck 30	Truck 33	Truck 35
A Wheelbase	3450	3450	3450
L Maximum length	5743	5743	5743
Maximum width	2100	2100	2100
Front track	1810	1810	1810
Rear track	1790	1790	1790
Maximum height (unladen)	2424	2424	2424
Front overhang	948	948	948
Rear overhang	1345	1345	1345
E Interior body length	3248	3248	3248
F Interior body width	2034	2034	2034
Height of sideboards	400	400	400

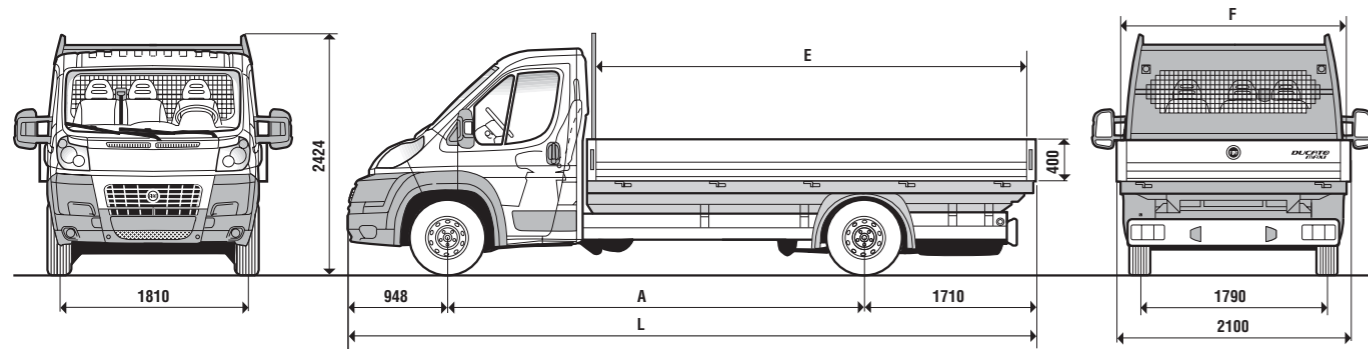
Wheelbase 3450 mm 6.6m <sup>2</sup> load area	Truck 30	Truck 33	Truck 35
Engines	100 MultiJet	120 MultiJet	160 MultiJet
Vehicle weight <sup>▲</sup> (unladen) (kg)	1840	1855	1905
Payload <sup>▼</sup> (kg)	1160	1445	1395
GVW (kg)	3000	3300	3300
Top speed (mph)	87	96	103

Dimensions (mm)	Truck 35
A Wheelbase	4035
L Maximum length	6328
Maximum width	2100
Front track	1810
Rear track	1790
Maximum height (unladen)	2424
Front overhang	948
Rear overhang	1345
E Interior body length	3833
F Interior body width	2034
Height of sideboards	400

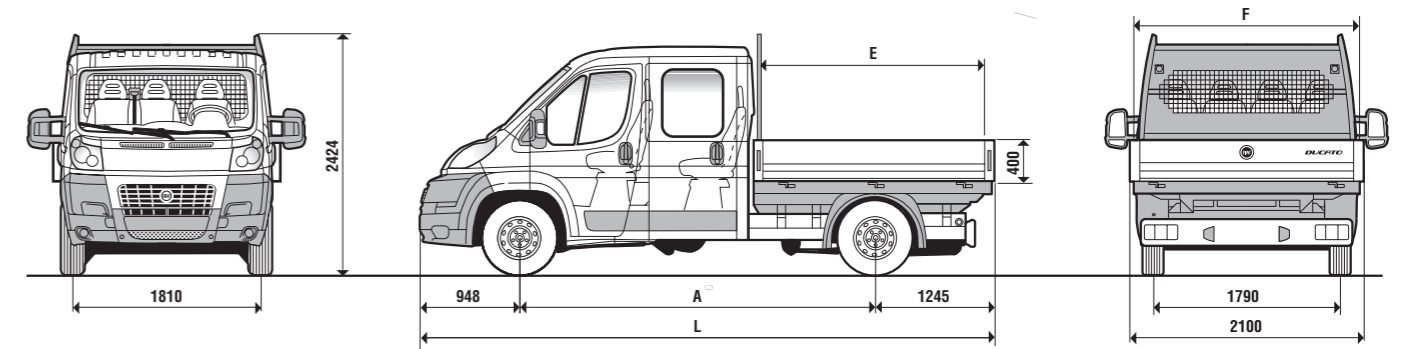
4035 mm wheelbase 7.8m <sup>2</sup> load area	Truck 35
Engines	120 MultiJet
Vehicle weight <sup>▲</sup> (unladen) (kg)	1910
Payload <sup>▼</sup> (kg)	1590
GVW (kg)	3500
Top speed (mph)	96

▲ Ready for the road, with water, fuel, oil, spare wheel, tools and accessories ▼ Including driver

# MAXI DROPSIDE TRUCKS.



# DOUBLE (CREW) CAB DROPSIDE TRUCKS.



Dimensions (mm)	Maxi Truck 35	Maxi Truck 40
A Wheelbase	4035	4035
L Maximum length	6693	6693
Maximum width	2100	2100
Front track	1810	1810
Rear track	1790	1790
Maximum height (unladen)	2424	2424
Front overhang	948	948
Rear overhang	1710	1710
E Interior body length	4198	4198
F Interior body width	2034	2034
Height of sideboards	400	400

Dimensions (mm)	Crew Cab Truck 35
A Wheelbase	4035
L Maximum length	6228
Maximum width	2100
Front track	1810
Rear track	1790
Maximum height (unladen)	2424
Front overhang	948
Rear overhang	1245
E Interior body length	2888
F Interior body width	2034
Height of sideboards	400

3450 mm Wheelbase 6.6m <sup>2</sup> load area	Maxi Truck 35
Engines	160 MultiJet
Vehicle weight <sup>▲</sup> (unladen) (kg)	1945
Payload <sup>▼</sup> (kg)	1555
GVW (kg)	3500
Top speed (mph)	100

4035 mm wheelbase 5.9m <sup>2</sup> load area	Crew Cab Truck 35
Engines	120 MultiJet <sup>†</sup>
Vehicle weight <sup>▲</sup> (unladen) (kg)	2025
Payload <sup>▼</sup> (kg)	1475
GVW (kg)	3500
Top speed (mph)	96

4035 mm wheelbase XL 8.5m <sup>2</sup> load area	Maxi Truck 35 XL	Maxi Truck 40 XL
Engines	160 MultiJet	160 MultiJet
Vehicle weight <sup>▲</sup> (unladen) (kg)	2035	2035
Payload <sup>▼</sup> (kg)	1465	1970
GVW (kg)	3500	4005
Top speed (mph)	100	100

▲ Ready for the road, with water, fuel, oil, spare wheel, tools and accessories  
▼ Including driver


▲ Ready for the road, with water, fuel, oil, spare wheel, tools and accessories  
▼ Including driver  
† Special order only. Delivery will take longer than normal.

# TECHNICAL SPECIFICATIONS.

## DUCATO VANS - GLAZED AND PARTLY GLAZED VANS - TRUCKS

Engine	100 MultiJet	120 MultiJet	160 MultiJet Power
No. of cylinders, arrangement	4, in line	4, in line	4, in line
Displacement (cc)	2198	2287	2999
Compression ratio	17.5:1	19:1	19:1
Max. power output: kW-EC (bhp-EC) at rpm	74 (100) 2900	88 (120) 3600	115 (157) 3500
Peak torque: Nm-EC (kgm-EC) at rpm	250 (25.5) 1500	320 (32.6) 2000	400 (40.7) 1700
Emissions level	Euro 4	Euro 4	Euro 4
Timing system (control)	2 OHCs (chain)	2 OHCs (toothed belt)	2 OHCs (chain)
Fuel feed	"Common Rail" electronically controlled direct injection with fixed geometry turbocharger and intercooler	"Common Rail" electronically controlled direct injection with fixed geometry turbocharger and intercooler	"Common Rail" electronically controlled direct injection with fixed geometry turbocharger and intercooler
Ignition	By compression	By compression	By compression
<b>Transmission</b>			
Drive	Front	Front	Front
Clutch	Single plate with hydraulically operated release	Single plate with hydraulically operated release	Single plate with hydraulically operated release
Gearbox, no. of speeds	5 + reverse	6 + reverse	6 + reverse
Gear ratios			
1 <sup>st</sup>	3.727 : 1	3.727 : 1	4.167 : 1
2 <sup>nd</sup>	1.952 : 1	1.952 : 1	2.350 : 1
3 <sup>rd</sup>	1.290 : 1	1.290 : 1	1.462 : 1
4 <sup>th</sup>	0.875 : 1	0.875 : 1	0.955 : 1
5 <sup>th</sup>	0.647 : 1	0.673 : 1	0.695 : 1
6 <sup>th</sup>	-	0.585 : 1	0.552 : 1
reverse	3.154 : 1	4.083 : 1	4.083 : 1
Final ratio	4.933 : 1 (74/15)	4.222 : 1 (76/18) 5.231 : 1 (68/13) Maxi	4.222 : 1 (76/18) 4.563 : 1 (73/16) Maxi
<b>Steering system</b>			
Type	Rack and pinion with power steering	Rack and pinion with power steering	Rack and pinion with variable power steering (Servotronic)
Steering diameter (kerb to kerb)	Short wheelbase m 11 – Medium wheelbase m 12.46 – Long wheelbase m 14.28		
<b>Braking system - D (disk)</b>			
Type	H-I dual circuit: front and rear disc brakes. ABS and electronic brakeforce distributor (EBD)		
Front: Ø mm	D 280 self-ventilating	D 280 self-ventilating D 300 self-ventilating Maxi	D 280 self-ventilating D 300 self-ventilating Maxi
Rear: Ø mm	D 280	D 280	D 280
Brake servo: Ø	11"	11"	11"
<b>Suspension system</b>			
Front	McPherson type, independent wheel, with trailing arms, helical springs, telescopic shock absorbers and roll bar		
Rear	Tubular rigid axle and longitudinal parabolic leaf springs, telescopic shock absorbers, elastic lateral stoppers and roll bar		
<b>Wheels</b>			
Tyres	215/70 R 15 C (225/70 R 15 C option). Maxi: 215/75 R 16 C (225/75 R 16 C option)		
<b>Electrical system (12v)</b>			
Battery capacity (Ah)	95	95	110
<b>Weights - Tank capacity</b>			
Max. towable weight (braking) (kg)	2000	2500	2500
Tank capacity (litres)	90	90	90
<b>Performance</b>			
Top speed <sup>▲</sup> (mph)	81 - 87	90 - 96	96 - 103

▲ Min. and max. values depending on model and version

Fiat recommends  SELENIA engine oil, PARAFILU coolants, TUTELA functional fluids.

# STANDARD EQUIPMENT AND OPTIONS.

## DUCATO

Exterior		Van	Dropside trucks / Double (Crew) Cab Dropside trucks
Double-parabola halogen headlamps			
Door mirrors with double support arm and side light			
Locking fuel cap with cover			
Rear fog lights integrated with reverse lights			
Green filter and sensor for water in diesel			
Side rubbing strips (+ on wheel arches for Maxi versions)			
Electric door mirrors with demisting function (Opt on version 250 OL1.0)			
Third stop light			-
Ladder rack + protective window grille		-	
125 litre fuel tank	4G9	•	•
Reflective windscreen	4G1	•	•
Heated rear windows	029	•	-
Larger 2.2 m door mirrors	036	-	•
Larger 2.35 m door mirrors	042	-	•
Second sliding side door (offside)	055	•	-
Comfort suspension (Not available on Maxi versions)	062	•	-
Double-leaf rear suspension (standard on 40 Maxi vans)	077	• /	-
Fog lights	097	•	•
Headlamp washers	102	•	•
15"/16" alloy wheels (16" on Maxi versions only)	108/208	•	•
Larger tyres (Maxi 40 versions only)	142	•	•
Rear mudguards	197	•	•
Metallic paint	210	•	•
Under-engine sound-proofing element	237	•	•
Electric, folding door mirrors	341	•	•
Glazed rear doors	519	•	-
Glazed sliding side door	520	•	-
Self-levelling suspension	555	•	-
Rear doors opening to 270°	619	•	-
Sliding window (in side door) [Window Vans only]	644	•	-
Front mudguards	747	•	•
Special wheel trims	878	•	•

Interior		Van	Dropside trucks / Double (Crew) Cab Dropside trucks
Axial adjustable steering column			
Driver's seat adjustable for height			
Cab door panels with door controls and electric windows			
Central compartment with lock for 'Note Book' holder			
Multi-functional dashboard with open trays, glass-holders, cool box and locking glove compartment			
Armrest and lumbar support for driver's seat			
Two-seater passenger bench with central 3-point belt			
Carter seat (Under seat enclosure)	50E	•	•
Saddle front head restraints	188	•	•
Single passenger seat with armrest	297	•	-
Heated passenger seat	452	•	•
Heated driver's seat	453	•	•
Height-adjustable passenger seat	454	•	•
Swivelling driver's seat	638	•	-
Cushioned driver's seat	640	•	•
Swivelling passenger's seat	641	•	-
Under-ceiling shelf (Standard on 40 Maxi versions & Double cabs)	835	• /	• /

Funcional / Electical		Van	Dropside trucks / Double (Crew) Cab Dropside trucks
Fiat CODE			
Display with digital clock and Trip computer			
Programmed maintenance			
Cigarette lighter and illuminated 12v socket and ash-tray			
Athermic windows and electric front windows			
Speedometer, electronic rev-counter, engine oil level indicator sensor			
Centralised lock with remote		3 Buttons	2 Buttons
Ceiling light in loading compartment			-

Funcional / Electical		Van	Dropside trucks / Double (Crew) Cab Dropside trucks
Tubular Frame bulkhead for driver protection			-
Load retention hooks and loading bay protective panels to waist height			-
Servotronic (variable power steering)			
"Dead locking" safety locks			
Smoking kit			
Manual climate control system	025	•	•
Oil level indicator (Std on 3.0 litre 160 MultiJet n/a with 2.0 litre 100 MultiJet)	033	•	•
KPH speedometer	050	•	•
Rain and twilight sensor	051	•	•
Electrical interface supply socket and battery housing (conversions)	081	•	•
Automatic unit heater (Webasto)	133	•	•
Automatic climate control system	140	•	•
Non removable partition bulkhead without window	149	•	-
Non removable partition bulkhead with window	199	•	-
Extra heater	200	•	•*
Additional, independent programmable heater	205	•	•
Cab peripheral volumetric anti theft alarm	213	•	•
Rear visibility camera	316	•	-
Load area side plugs (Standard on XLB versions)	361	• /	-
Protective panels for loading compartment	381	•	-
Comfort-Matic Gearbox (160 bhp versions only)	407	•/-	•/-
Cruise control	416	•	•
Rear parking sensors + buzzer	508	•	-
Digital tachograph	650	• / Maxi 40	• / Maxi 40
Diesel Particulate filter (DPP) (not available on 100 bhp version)	733	•	•
Extra power battery 100 Ah (Standard on 3.0 160 MultiJet)	782	• /	• /
Normal size spare wheel / jack (Std on 251 versions + crew cab trucks)	786/980	• /	• /
12 volt power socket in loading compartment	823	•	-
Blow by heater (Std on 3.0 litre 160 MultiJet)	887	• /	• /
Additional heater, rotated	906	•	•
Heat reflective windscreen	4G1	•	•
125 litre fuel tank	4G9	•	•
Predisposition for rear climate control	4GT	•	-
Exclusion of tool box drawer	4HJ	•	-
Predisposition for rear heater	4N8	•	-
Upgraded alternator 180 Amp (not available on 100 bhp engines)	4WP	•/-	•/-
Document holder net on inside of rear door	51J	•	-
Predisposition for heater (Webasto) on tank	52X	•	•
Speed limiter (56 mph)	58E	•	•
Speed limiter (62 mph)	5BF	•	•*
Removable rear ceiling light	58F	•	-
Battery cut-off switch	50D	•	•

Safety		Van	Dropside trucks / Double (Crew) Cab Dropside trucks
3-point belts with retractor for cab seats			
Head restraints adjustable for height for cab seats			
4-sensor ABS + EBD (brake force distributor)			
Driver airbag			
ASR anti-skid control	015	•	•
MBA mechanical brake assistance (Modular brake assistance)	052	•	•
Protective cyclist bar	358	-	•
ESP (Electronic Stability Program)	392	•	•
Passenger(s) airbag(s)	502	•	•
Front side airbags + Window bags	505	•	•*

Audio / Telematics		Van	Dropside trucks / Double (Crew) Cab Dropside trucks
Radio with CD and MP3 player			
Steering wheel mounted radio controls	245	•	•
Predisposition for aftermarket sat nav	54K	•	•
Aerial for GPS, GSM, Radio (Integrated in door mirror)	54Q	•	•
Radio aerial (Integrated in door mirror)	5AO	•	•
Blue&Me™	4J3	•	•

\* Excluding Double Cabs. ■ = Standard • = Option - = Not available

NB Dropside Truck/Double (Crew) Cab Dropside Truck obtained by requesting option 288 on a Chassis Cab version.

# TECHNICAL GLOSSARY.

Standard ●

Option ●

Blue&Me™



● The system created by Fiat in collaboration with Microsoft, enabling you to use your telephone in hands-free mode, by connecting it in complete safety to the vehicle's electronic system. The system also has a USB port for connecting electronic devices such as MP3-players to listen to music through the vehicle's audio system.

Self-levelling suspension



● This suspension system keeps vehicle trim constant, regardless of the size and arrangement of the load, thus improving safety and driving comfort. The suspension is controlled by a control unit that acts on a pneumatic suspension system. When the vehicle is stationary, the same system enables the loading threshold to be raised or lowered by 70 mm.

Reflective windscreen



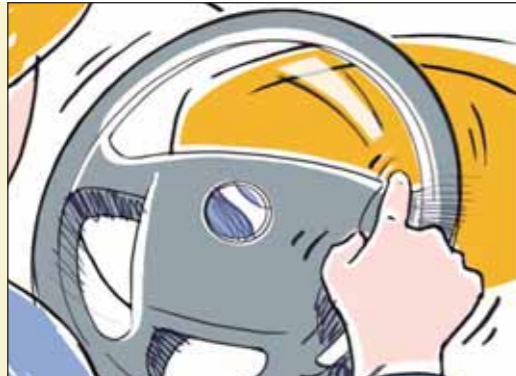
● The windscreen contains a thin layer of metallic oxides, which intercepts and reflects the infra-red rays from the sun, responsible for overheating the cab. It reduces the burning effect of the sun on occupants and the temperature inside the cab, resulting in less use of the air-conditioning system and a consequent reduction in fuel consumption.

Rear-view camera



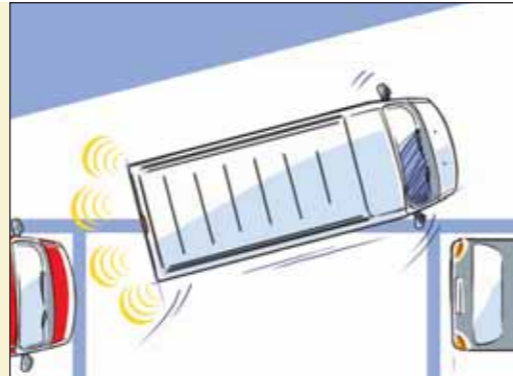
● A mini-camera on the spoiler of the rear door sends an image of the area immediately behind the vehicle to a display in the cab. The closed-circuit television system is activated when reverse gear is engaged or when the relevant button is pressed, and is particularly useful when manoeuvring or loading / unloading cargo.

Variable power steering



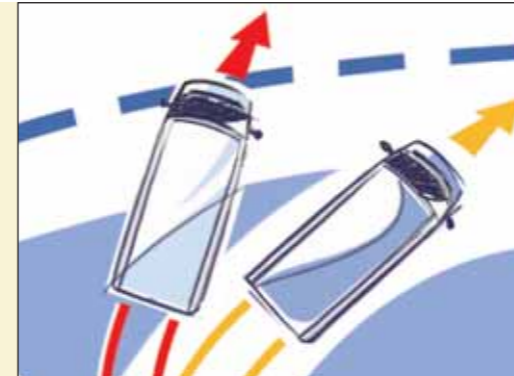
● This system increases driving comfort by making parking easier when steering with the vehicle stationary and with a full load. The variable power steering system reduces the amount of effort required on the steering wheel by almost a half more than a normal power-steering system. At the same time, it guarantees maximum steering precision at high speeds, by smoothly adapting the force applied by the driver.

Parking sensors



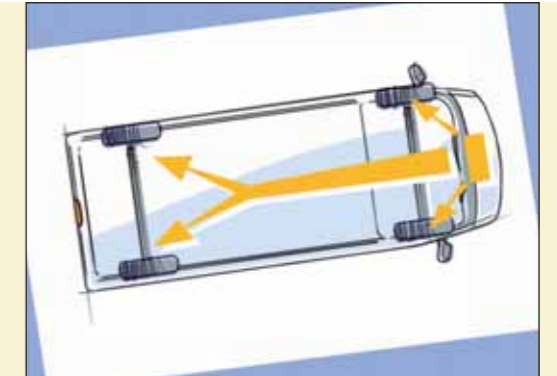
● These sensors provide the driver with information about the distance between the vehicle and any obstacles behind it. The system is activated when reverse gear is engaged and uses 4 ultra-sound sensors. As the vehicle approaches an obstacle, an intermittent beep is heard. A continuous beep indicates the minimum distance from the obstacle has been reached.

ABS - Anti-lock braking system



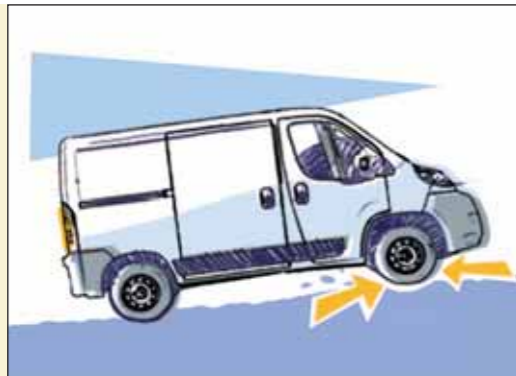
● This system prevents one or more of the wheels from locking in an emergency braking situation, provides greater grip and therefore better road-holding.

EBD - Electronic brake force distribution



● This electronic system splits the braking force between the front and rear axle, for greater braking efficiency in all driving situations.

ASR - Anti-slip system



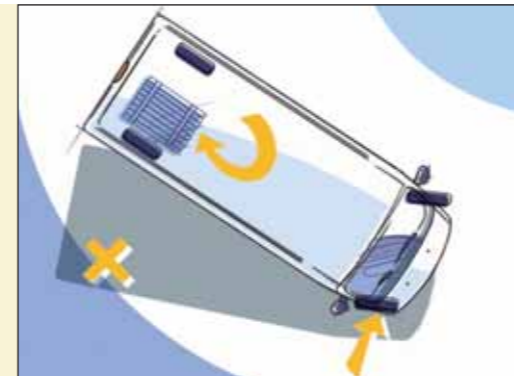
● This system counteracts slipping effects on one or both driving wheels in poor grip conditions, by applying the brakes and at the same time temporarily reducing the power delivered by the engine.

MBA - Mechanical brake assistance



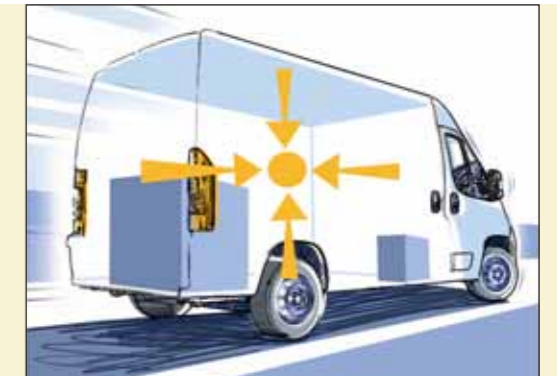
● This system automatically increases the pressure in the braking circuit in emergency braking situations, by directly applying the servo-brake. If the vehicle is fitted with ESP, a similar function is provided by the HBA (Hydraulic Brake Assistance) system.

ESP - Electronic stability program



● This system intervenes in emergency situations, such as, for example, sudden swerves to avoid an obstacle. The system monitors parameters such as sideways acceleration, speed, grip and the angle of the steering wheel. It processes the data and, if necessary, acts on the engine torque and braking system to return the vehicle to conditions of perfect stability.

LAC - Electronic load adaptive control



● Part of the ESP system, this device monitors the vehicle load conditions when the vehicle is moving, particularly the total mass and the position of the centre of gravity. As these parameters vary, the system intervenes by calculating and applying new settings and intervention limits for the ABS, ASR and ESP functions, to ensure they always operate as efficiently as possible.

## CUSTOMER BENEFITS

When you buy a new Fiat Professional Vehicle, you buy more than just a van. Behind every van we sell there is the reassurance of a whole range of customer benefits and services designed to make the ownership of your Fiat as enjoyable, affordable and trouble-free as possible.

### **3 YEAR FIATCARE WARRANTY PACKAGE**

All new Fiat vans come with this comprehensive package, which consists of the following:

### **2 YEAR UNLIMITED MILEAGE, MANUFACTURER WARRANTY**

Any repairs required as the result of faulty materials or manufacture are carried out free of charge – either for parts or labour.

### **3RD YEAR DEALER WARRANTY<sup>†</sup>**

Any repairs required as the result of faulty materials or manufacture – either for parts or labour – are covered up to 120,000 miles (60,000 miles on passenger versions registered for hire & reward usage) from the date of first registration or the expiry of the 3rd year, whichever occurs first. The warranty is provided free of charge and is subject to conditions (full details are available from your Fiat dealer).

### **3 YEAR PAINTWORK WARRANTY**

Any paintwork defects due to faulty materials or manufacture will be rectified free of charge during the first 3 years.

### **8 YEAR ANTI PERFORATION WARRANTY**

Subject to regular inspections being carried out, as detailed in the Fiat Services Booklet, any perforation of the bodywork due to corrosion will be repaired free of all parts and labour charges during the first 8 years.

<sup>†</sup>Only applicable to UK sourced vehicles from Fiat Group Automobiles UK Ltd.

\*Pan European Freephone number from all UK land lines. A minimum charge applies to calls made from mobiles based on network rates.

### **12 MONTHS PART AND REPAIR GUARANTEE**

All genuine Fiat parts are guaranteed for 12 months, or the duration of the prevailing warranty on the vehicle, as are repairs carried out by any Fiat dealer using genuine parts.

### **FIXED SERVICE COSTS**

All Fiat dealers operate a 'Menu Pricing' programme, which guarantees fixed service and replacement costs, with no hidden extras. The price you see is the price you'll pay, unless you have given your consent for further work to be carried out.

### **INFORMATION AND CUSTOMER SERVICE**

A Pan-European toll free\* number (00800 3428 0000) gives you access to our dedicated information and customer services facilities, providing you with details of Fiat dealers offering additional services, such as extended workshop hours, Auto Clinic and Approved Bodyshop facilities.

Fiat also believe it is important to stay in contact with you and will, subject to your agreement, telephone you from time to time to ensure you are happy with your Fiat and the service you receive from your dealer. You can also access information about Fiat products and services online on our comprehensive website [www.fiatprofessional.co.uk](http://www.fiatprofessional.co.uk).

## INSURED PRODUCTS AND FIAT CUSTOMER BENEFITS

The following insured products and services are provided through Fiat Financial Services\*.

### **1 YEAR'S AA ASSURANCE COVER**

All new Fiats come with 1 year's AA Assurance cover, which includes Roadside Assistance, Home Start, Relay, Relay Plus, European Cover and Accident Management.

This insured service is provided on a free of charge basis and is available 24 hours a day, throughout the year. AA Assurance also provides free access to travel information, legal advice and technical information.

### **FIAT MOTOR INSURANCE**

Comprehensive car insurance is available at competitive premiums, with up to 65% No Claims Bonus transferable from your existing policy after five consecutive years of claim free driving.

For a quotation, either ring 0870 241 3805, or visit online through [www.fiat.co.uk](http://www.fiat.co.uk)

### **FINANCE PLANS**

Fiat Financial Services offers a comprehensive range of financial plans to suit private and business customers alike. Fiat Finance Lease, Fiat Lease Purchase and traditional Hire Purchase can adapt to suit your individual requirements, whatever they may be.

For example, you may wish to include the cost of one of our Credit Protection Plans (both Payment Protection and Asset

Protection are available), which provides added security for you, your business and your investment. Your Fiat dealer will be pleased to design a specific plan for you.

Please ask for more information. Written quotations available on request. Finance is subject to status. A guarantee and / or indemnity may be required

### **FIAT CONTRACT HIRE<sup>†</sup>**

#### **- CONTRACT HIRE FOR THE BUSINESS USER**

More and more businesses are turning to Contract Hire as a simple, tax efficient way of financing their fleet. Contract Hire allows the use of a vehicle for a pre-determined fixed period and cost (subject to mileage and conditions) and has many features and benefits that your Fiat dealer will be delighted to discuss with you.

At Fiat Contract Hire we also provide a full support service, including maintenance, relief vehicle, AA Assurance and accident management, saving you time to concentrate on running your business. For more information, please contact your Fiat dealer, or call 01753 486885.

Contract Hire finance facilities are available subject to credit approval. Written quotations are available from Fiat Contract Hire, 240 Bath Road, Slough, Berkshire, SL1 4DX.

\*Fiat Financial Services Is a trading style of FGA Capital UK Ltd. FGA Capital UK Ltd is authorised and regulated by the Financial Services Authority for General Insurance.†Fiat Contract Hire is a trading style of FGA Contracts UK Limited which is an appointed representative of FGA Capital UK Limited.

Performance figures supplied by Fiat Group Automobiles SpA.

Products offered for sale may differ from those described or illustrated in this brochure due to later production changes in specifications, components or place of manufacture. The contents of this brochure are therefore not to be treated as representations as to the current availability of products as described, or as to products actually offered for sale. Fiat Group Automobiles UK Ltd. reserves the right to make changes at any time, without notice, to prices, colours, materials, equipment, specifications and models and also to discontinue models. Variations in product specification do occur from time to time - please check the exact specification with the dealer at the time of order.

Fiat Group Automobiles UK Ltd, Fiat House, 240 Bath Road, Slough SL1 4DX

Ed. 02/09

[www.fiatprofessional.co.uk](http://www.fiatprofessional.co.uk)

