

DUCATO

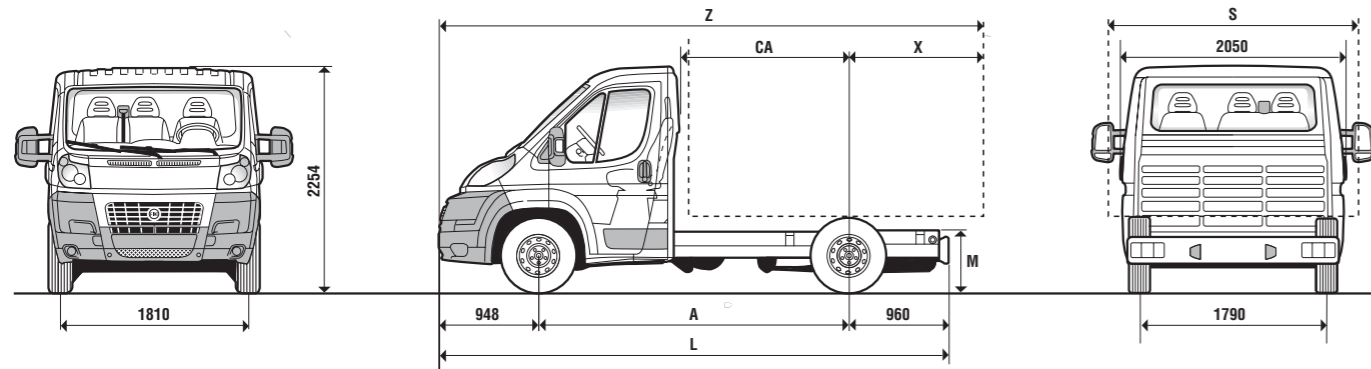
VEHICLES FOR CONVERSION



TECHNICAL SPECIFICATIONS AND EQUIPMENT



CHASSIS CABS.



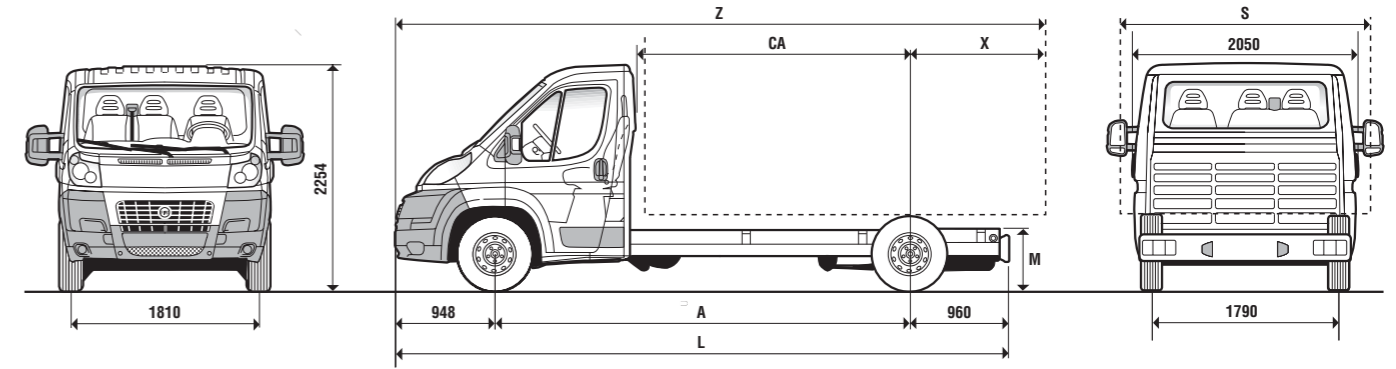
Dimensions mm	Chassis cab 30	Chassis cab 33	Chassis cab 35	MAXI Chassis cab 35
A Wheelbase	3450	3450	3450	3450
L Maximum length	5358	5358	5358	5358
Maximum width	2050	2050	2050	2050
Front track	1810	1810	1810	1810
Rear track	1790	1790	1790	1790
Maximum height (unladen)	2254	2254	2254	2254
Front overhang	948	948	948	948
Rear overhang	960	960	960	960
M Ground clearance to edge of frame (STDA)	650	650	650	650
X Distance between rear axle and end of body (end of overhang in finished fitment)	2070	2070	2070	2070
CA Back of cab to rear axle	2060	2060	2060	2060
S Max. body width*	2350	2350	2350	2350
Z Max. body length with superstructure	6468	6468	6468	6468

3450 mm wheelbase	Chassis cab 30	Chassis cab 33	Chassis cab 35		MAXI Chassis cab 35
Engines	100 MultiJet	120 MultiJet	120 MultiJet	160 MultiJet	160 MultiJet
Vehicle weight▲ (unladen) (kg)	1620	1635	1635	1685	1725
GVW (kg)	3000	3300	3500	3500	3500
Max. admissible load on front axle (kg)	1630	1750	1850	1850	2100
Max. admissible load on rear axle (kg)	1650	1900	2000	2000	2400

* Linked to wing mirrors option 042 – 2200 mm with option 036 – 2100 mm with standard wing mirrors

▲ Ready for the road, with water, fuel, oil, spare wheel, tools and accessories

CHASSIS CABS.



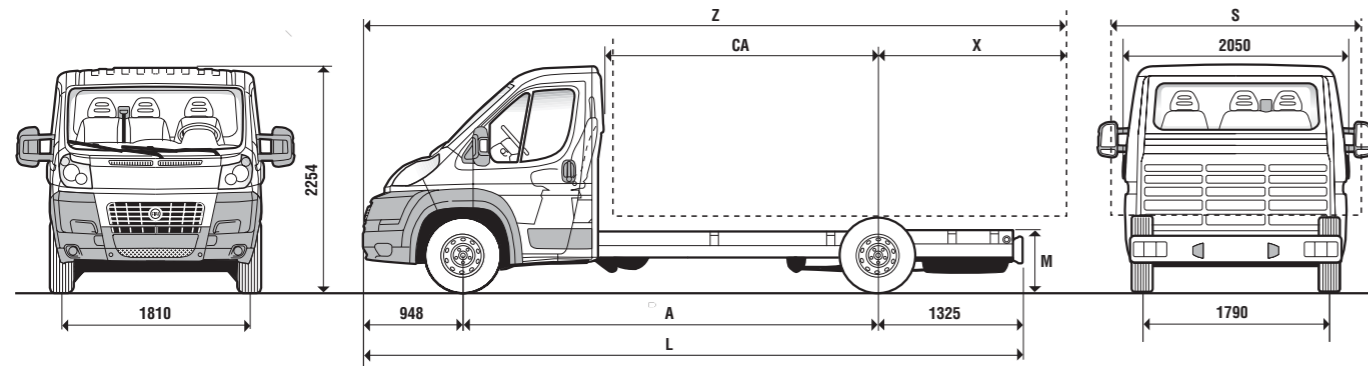
Dimensions mm	Chassis cab 35
A Wheelbase	4035
L Maximum length	5943
Maximum width	2050
Front track	1810
Rear track	1790
Maximum height (unladen)	2254
Front overhang	948
Rear overhang	960
M Ground clearance to edge of frame (STDA)	650
X Distance between rear axle and end of body (end of overhang in finished fitment)	2400
CA Back of cab to rear axle	2645
S Max. body width*	2350
Z Max. body length with superstructure	7383

4035 mm wheelbase	Chassis cab 35	
Engines	120 MultiJet	160 MultiJet
Vehicle weight▲ (unladen) (kg)	1655	1705
GVW (kg)	3500	3500
Max. admissible load on front axle (kg)	1850	1850
Max. admissible load on rear axle (kg)	2000	2000

* Linked to wing mirrors option 042 – 2200 mm with option 036 – 2100 mm with standard wing mirrors

▲ Ready for the road, with water, fuel, oil, spare wheel, tools and accessories

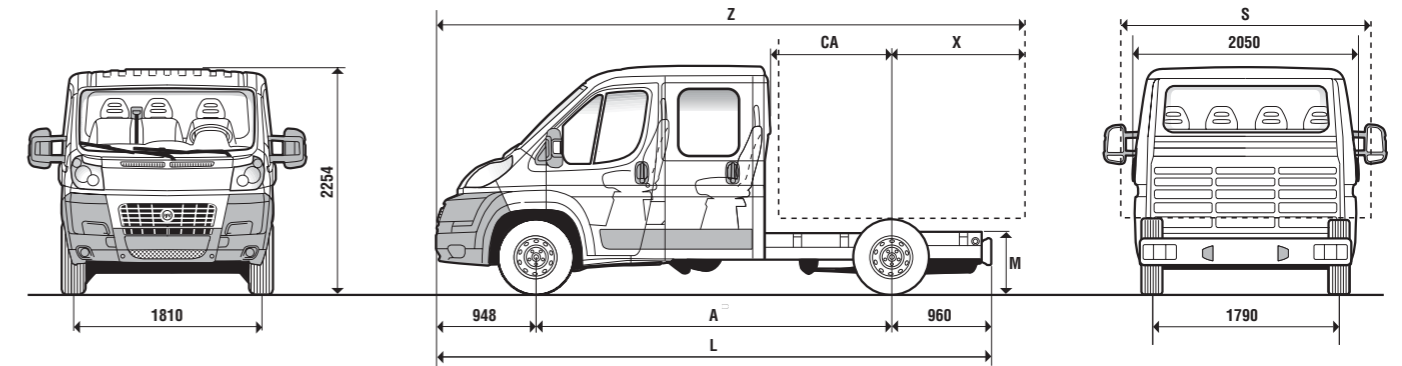
MAXI CHASSIS CABS XL.



Dimensions mm	Maxi Chassis cab 35	Maxi Chassis cab 40
A Wheelbase	4035 XL	4035 XL
L Maximum length	6308	6308
Maximum width	2050	2050
Front track	1810	1810
Rear track	1790	1790
Maximum height (unladen)	2254	2254
Front overhang	948	948
Rear overhang	1325	1325
M Ground clearance to edge of frame (STDA)	650	650
X Distance between rear axle and end of body (end of overhang in finished fitment)	2400	2400
CA Back of cab to rear axle	2645	2645
S Max. body width*	2350	2350
Z Max. body length with superstructure	7383	7383

4035 mm XL wheelbase	Maxi Chassis cab 35	Maxi Chassis cab 40
Engines	160 MultiJet	160 MultiJet
Vehicle weight▲ (unladen) (kg)	1760	1760
GVW (kg)	3500	4000
Max. admissible load on front axle (kg)	2100	2100
Max. admissible load on rear axle (kg)	2400	2400

CHASSIS DOUBLE CABS.



Dimensions mm	Chassis 35 Double Cabs
A Wheelbase	4035
L Maximum length	5943
Maximum width	2050
Front track	1810
Rear track	1790
Maximum height (unladen)	2254
Front overhang	948
Rear overhang	960
M Ground clearance to edge of frame (STDA)	719
X Distance between rear axle and end of body (end of overhang in finished fitment)	2400
CA Back of cab to rear axle	1774
S Maximum body width*	2350
Z Max. body length with superstructure	7383

4035 mm wheelbase	Chassis 35 Double Cabs
Engines	120 MultiJet
Vehicle weight▲ (unladen) (kg)	1840
GVW (kg)	3500
Max. admissible load on front axle (kg)	1850
Max. admissible load on rear axle (kg)	2000

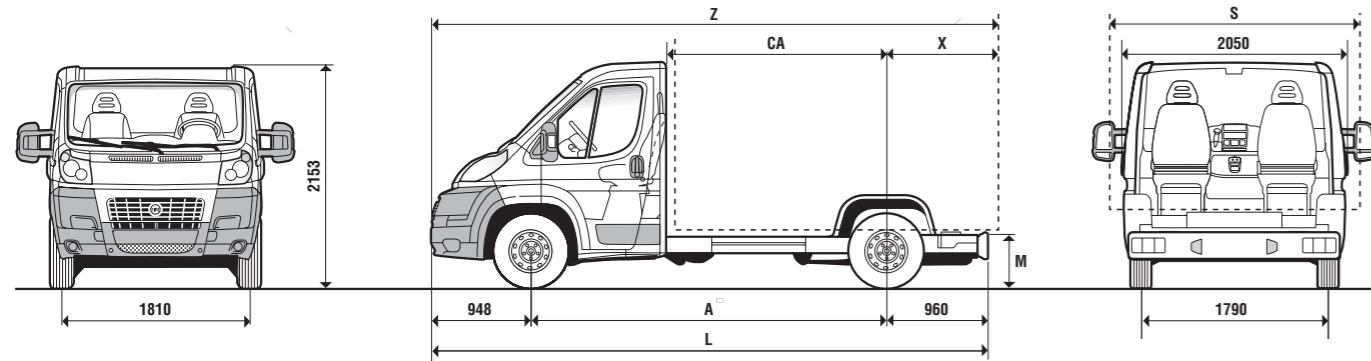
* Linked to wing mirrors option 042 – 2200 mm with option 036 – 2100 mm with standard wing mirrors

▲ Ready for the road, with water, fuel, oil, spare wheel, tools and accessories

* Linked to wing mirrors option 042 – 2200 mm with option 036 – 2100 mm with standard wing mirrors

▲ Ready for the road, with water, fuel, oil, spare wheel, tools and accessories

PLATFORM CABS.



Dimensions mm	Platform cab 30	Platform cab 33	Platform cab 35		Maxi Platform cab 35
A Wheelbase	3450	3450	3450	4035	3450
L Maximum length	5358	5358	5358	5943	5358
Maximum width	2050	2050	2050	2050	2050
Front track	1810	1810	1810	1810	1810
Rear track	1790	1790	1790	1790	1790
Maximum height (unladen)	2153	2153	2153	2153	2153
Front overhang	948	948	948	948	948
Rear overhang	960	960	960	960	960
M Ground clearance to edge of frame (STDA)	540	540	540	540	540
X Distance between rear axle and end of body (end of overhang in finished fitment)	2070	2070	2070	2400	2070
CA Back of cab to rear axle	2060	2060	2060	2645	2060
S Max. body width*	2350	2350	2350	2350	2350
Z Max. body length with superstructure	6468	6468	6468	7383	6468

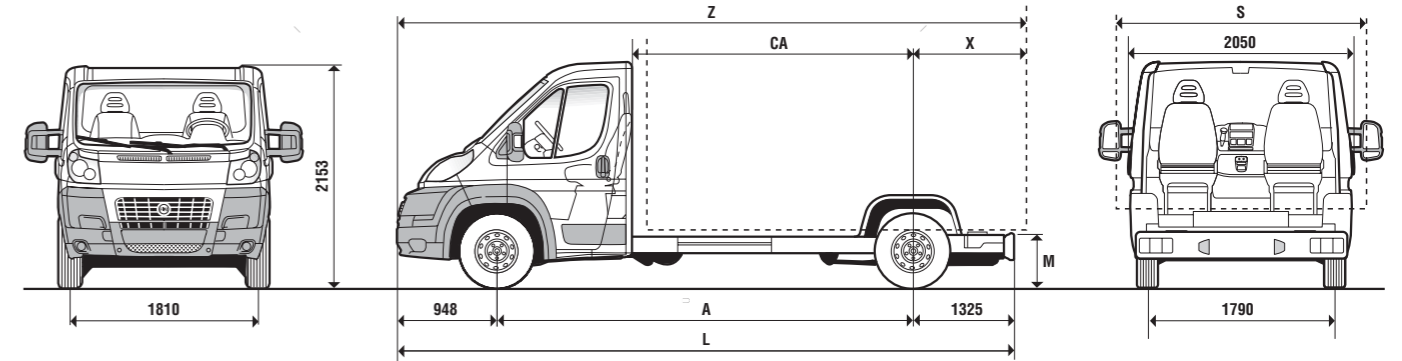
3450 mm wheelbase	Platform cab 30	Platform cab 33	Platform cab 35	Maxi Platform cab 35
Engines	100 MultiJet	120 MultiJet	160 MultiJet†	160 MultiJet
Vehicle weight▲ (unladen) (kg)	1600	1615	1665	1705
GVW (kg)	3000	3300	3500	3500
Max. admissible load on front axle (kg)	1630	1750	1850	2100
Max. admissible load on rear axle (kg)	1650	1900	2000	2400

4035 mm wheelbase	Platform cab 35	
Engines	120 MultiJet	160 MultiJet†
Vehicle weight▲ (unladen) (kg)	1630	1680
GVW (kg)	3500	3500
Max. admissible load on front axle (kg)	1850	1850
Max. admissible load on rear axle (kg)	2000	2000

* Linked to wing mirrors option 042 – 2200 mm with option 036 – 2100 mm with standard wing mirrors
† Special order only. Delivery will take longer than normal.

▲ Ready for the road, with water, fuel, oil, spare wheel, tools and accessories

PLATFORM CABS.



Dimensions mm	Maxi Platform cab 35	Maxi Platform cab 40
A Wheelbase	4035 XL	4035 XL
L Maximum length	6308	6308
Maximum width	2050	2050
Front track	1810	1810
Rear track	1790	1790
Maximum height (unladen)	2153	2153
Front overhang	948	948
Rear overhang	1325	1325
M Ground clearance to edge of frame (STDA)	521	521
X Distance between rear axle and end of body (end of overhang in finished fitment)	2400	2400
CA Back of cab to rear axle	2645	2645
S Max. body width*	2350	2350
Z Max. body length with superstructure	7383	7383

4035 mm XL wheelbase	Maxi Platform cab 35	Maxi Platform cab 40
Engines	160 MultiJet	160 MultiJet
Vehicle weight▲ (unladen) (kg)	1735	1735
GVW (kg)	3500	4005
Max. admissible load on front axle (kg)	2100	2100
Max. admissible load on rear axle (kg)	2400	2400

* Linked to wing mirrors option 042 – 2200 mm with option 036 – 2100 mm with standard wing mirrors


▲ Ready for the road, with water, fuel, oil, spare wheel, tools and accessories

TECHNICAL SPECIFICATIONS.

DUCATO CHASSIS & PLATFORM CABS

Engine	100 MultiJet	120 MultiJet	160 MultiJet Power
No. of cylinders, arrangement	4, in line	4, in line	4, in line
Displacement (cc)	2198	2287	2999
Compression ratio	17.5:1	19:1	19:1
Max. power output: kW-EC (bhp-EC) at rpm	74 (100) 2900	88 (120) 3600	115 (157) 3500
Peak torque: Nm-EC (kgm-EC) at rpm	250 (25.5) 1500	320 (32.6) 2000	400 (40.7) 1700
Emissions level	Euro 4	Euro 4	Euro 4
Timing system (control)	2 OHCs (chain)	2 OHCs (toothed belt)	2 OHCs (chain)
Fuel feed	"Common Rail" electronically controlled direct injection with fixed geometry turbocharger and intercooler	"Common Rail" electronically controlled direct injection with fixed geometry turbocharger and intercooler	"Common Rail" electronically controlled direct injection with fixed geometry turbocharger and intercooler
Ignition	by compression	by compression	by compression
Transmission			
Drive	front	front	front
Clutch	single plate with hydraulically operated release	single plate with hydraulically operated release	single plate with hydraulically operated release
Gearbox, no. of speeds	5 + reverse	6 + reverse	6 + reverse
Gear ratios			
1 st	3.727 : 1	3.727 : 1	4.167 : 1
2 nd	1.952 : 1	1.952 : 1	2.350 : 1
3 rd	1.290 : 1	1.290 : 1	1.462 : 1
4 th	0.875 : 1	0.875 : 1	0.955 : 1
5 th	0.647 : 1	0.673 : 1	0.695 : 1
6 th	-	0.585 : 1	0.552 : 1
reverse	3.154 : 1	4.083 : 1	4.083 : 1
Final ratio	4.933 : 1 (74/15)	4.222 : 1 (76/18) 5.231 : 1 (68/13) Maxi	4.222 : 1 (76/18) 4.563 : 1 (73/16) Maxi
Steering system			
Type	rack and pinion with power steering	rack and pinion with power steering	rack and pinion with variable power steering (Servotronic)
Turning circle (kerb to kerb)	Medium wheelbase m 12.46 – Long wheelbase m 14.28		
Braking system - D (disk)			
Type	H-I dual circuit: front and rear disc brakes. ABS and electronic brakeforce distributor (EBD)		
Front: Ø mm	D 280 self-ventilating	D 280 self-ventilating D 300 self-ventilating Maxi	D 280 self-ventilating D 300 self-ventilating Maxi
Rear: Ø mm	D 280	D 280	D 280
Brake servo: Ø	11"	11"	11"
Suspension system			
Front	McPherson type, independent wheel, with trailing arms, helical springs, telescopic shock absorbers and roll bar		
Rear	tubular rigid axle and longitudinal parabolic leaf springs, telescopic shock absorbers, elastic lateral stoppers and roll bar		
Wheels			
Tyres	215/70 R 15 C (225/70 R 15 C option). Maxi: 215/75 R 16 C (225/75 R 16 C option)		
Electrical system (12v)			
Battery capacity (Ah)	95	95	110
Weights - Tank capacity			
Max. towable weight (braking) (kg)	2000	2500	2500
Tank capacity (litres)	90	90	90
Performance			
Top speed [▲] (mph)	81 - 87	90 - 96	96 - 103

▲ Min. and max. values depending on model and version

Fiat recommends  SELENIA engine oil, PARAFILU coolants, TUTELA functional fluids.

STANDARD EQUIPMENT AND OPTIONS.

DUCATO CHASSIS & PLATFORM CABS

Exterior		Chassis & Platform cabs	
Double-parabola halogen headlamps			
Green filter and sensor for water in diesel			
Door mirrors with double support arm and side light			
Side rubbing strips			
Locking fuel cap with cover			
Double-arm wing mirrors			
Electric heated mirrors			
Loose rear lights	4EA	•	
Side Markers	4HH	•	
Twin leaf suspension for heavy conversions	4GM	•	
Specific cut out cab roof	4GS	•*	
Heat reflective windscreen	4G1	•	
125 litre fuel tank	4G9	•	
Wider track (1980 mm)	58G	•	
Cab roof predisposed for cut out	59E	•*	
Door mirrors for 2.20 m bodybuilding kit	036	•	
Door mirrors for 2.35 m bodybuilding kit	042	•	
Double-leaf rear suspension	077		• / (35 Crew Cab)
Fog lights	097	•	
Headlamp wiper-washer	102	•	
15"/16" Alloy wheels (16" on Maxi versions only)	108/208	•	
Larger tyres (Maxi 40 versions only)	142	•	
Rear mudguards	197	•	
Metallic paint	210	•	
Under-engine sound-proofing element	237	•	
Dropside box (truck)	288	•	
Flatbed on chassis-cab (Platform cab)	292	•*	
Electric, folding door mirrors	341	•	
Ladder holder + protective window grille	475	•	
Self-levelling suspension	555	•	
Rear cross-member with spare wheel housing and lights	742	•	
No cab rear wall	743	•*	
Spare wheel basket without rear lights	745	•	
Front mudguards	747	•	
Rear logo badge	749	•	
Special wheel trims	878	•	

Interior		Chassis & Platform cabs	
Axial adjustable steering column			
Central compartment with lock for 'Note Book' holder			
Multi-functional dashboard with open trays, glass-holders, cool box and locking glove compartment			
Driver's seat adjustable for height			
Cab door panels with door controls and electric windows			
Armrest and lumbar support for driver's seat			
Two-seater passenger bench with central 3-point belt			
Carter seat (under seat enclosure)	50E	•	
Saddle front head restraints	188	•	
Single passenger seat with armrest	297	•	
Heated single passenger seat	452	•	
Heated driver's seat	453	•	
Height-adjustable single passenger seat	454	•	
Swivelling driver seat	638	•*	
Shock absorbing driver's seat	640	•	
Swivelling passenger seat	641	•*	
Under-ceiling shelf	835		• / Maxi 40 and Crew Cab*

Functional / Electrical		Chassis & Platform cabs	
Fiat CODE			
Power steering (with Servotronic)			
Display with digital clock and Trip computer			
Programmed maintenance			
Cigarette lighter and illuminated 12v socket and ash-tray			
Speedometer, electronic rev-counter, engine oil level indicator sensor			
Centralised locking with remote (2 buttons)			
Dead locking safety locks			
Athermic windows and electric front windows			
Electrical interface supply socket			
Smoking kit			
Provision for rear climate control	4GT		•*
No tool box	4HJ		•*
Predisposition for rear heater	4N8		•
Upgraded alternator 180 Amp (not available on 100 bhp engines)	4WP		•
Speed limiter (62 mph)	5BF		•*
Battery cut-off switch	5OD		•
Predisposition for heater (Webasto) on tank	52X		•
Speed limiter (56 mph)	58E	• /	Maxi 40 and Crew Cab
Manual climate control system	025		•
Oil level indicator (standard on 160 MultiJet & not available on 100 bhp versions)	033		•
KPH speedometer	050		•
Rain and twilight sensor	051		•
Automatic unit heater (Webasto)	133		•
Automatic climate control system	140		•
Extra heater	200		•*
Additional, independent programmable heater	205		•
Cab/contour volumetric anti-theft alarm	213		•
Special cables (loom extension)	391		•
Comfort-Matic Gearbox (160 bhp versions only)	407		•
Cruise control	416		•
Tyre repair kit (Fix & Go)	499		N/A Maxi
Digital tachograph	650	• /	Maxi 40
Multifunctional remote (3 buttons)	708		•*
Diesel particulate filter (DPF) [not available on 100 bhp version]	733		•
More powerful battery 110 Ah (Standard on 3.0 litre 160 MultiJet)	782	• /	3.0 litre
Normal size spare wheel and jack	786/980	• /	Standard on 251 versions
Blow by heater	887	• /	Standard on 3.0 litre 160 MultiJet
Additional heater, rotated	906		•

Safety		Chassis & Platform cabs	
4-sensor ABS + EBD (brake force distributor)			
3-point belts with retractor for cab seats			
Head restraints adjustable for height for cab seats			
Driver's airbag + pretensioned belts (2 seats)			
ASR anti-skid control	015		•
MBA (Mechanical brake assist)	052		•
Protective cyclist bar	358		•
ESP (Electronic Stability Program)	392		•
Passenger(s) airbag(s)	502		•
Front side airbags + Window bags	505		•*

Audio / Telematics		Chassis & Platform cabs	
Radio with CD and MP3 player			
Predisposition for aftermarket sat nav	54K		•
Aerial for GPS, GSM, Radio integrated in door mirror	54Q		•
Radio aerial integrated in door mirror	5AO		•
Blue + Me™	4J3		•
Blue + Me Nav™	55Y		•
Steering wheel mounted radio controls	245		•

* Not available with Crew Cab  = Standard • = Optional

TECHNICAL GLOSSARY.

Standard ●
Option ●

Blue&Me™



● The system created by Fiat in collaboration with Microsoft, enabling you to use your telephone in hands-free mode, by connecting it in complete safety to the vehicle's electronic system. The system also has a USB port for connecting electronic devices such as MP3-players to listen to music through the vehicle's audio system.

Self-levelling suspension



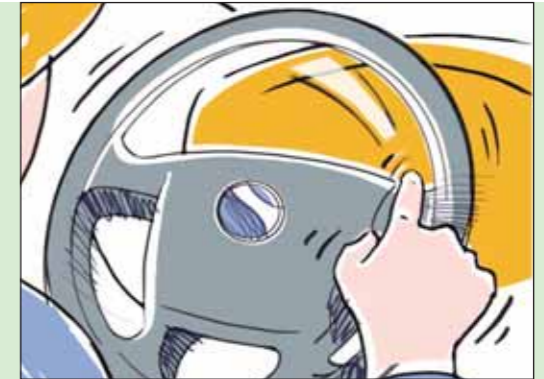
● This suspension system keeps vehicle trim constant, regardless of the size and arrangement of the load, thus improving safety and driving comfort. The suspension is controlled by a control unit that acts on a pneumatic suspension system. When the vehicle is stationary, the same system enables the loading threshold to be raised or lowered by 70 mm.

Reflective windscreen



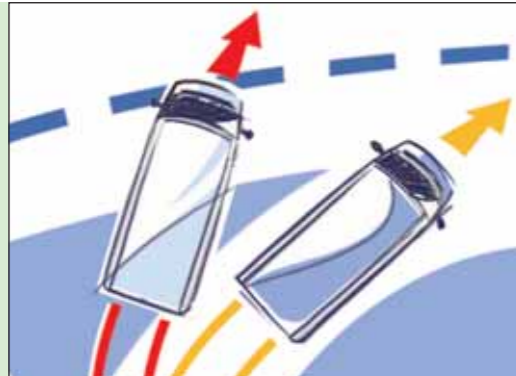
● The windscreen contains a thin layer of metallic oxides, which intercepts and reflects the infra-red rays from the sun, responsible for overheating the cab. It reduces the burning effect of the sun on occupants and the temperature inside the cab, resulting in less use of the air-conditioning system and a consequent reduction in fuel consumption.

Variable power steering



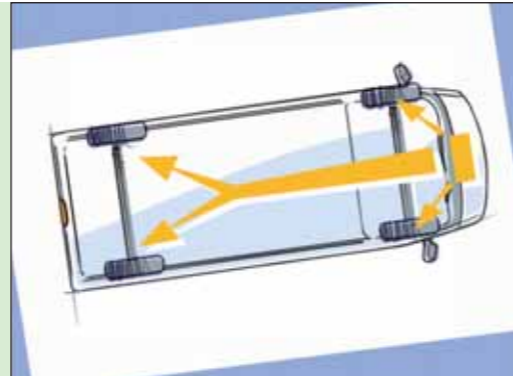
● This system increases driving comfort by making parking easier when steering with the vehicle stationary and with a full load. The variable power steering system reduces the amount of effort required on the steering wheel by almost a half more than a normal power-steering system. At the same time, it guarantees maximum steering precision at high speeds, by smoothly adapting the force applied by the driver.

ABS – Anti-lock braking system



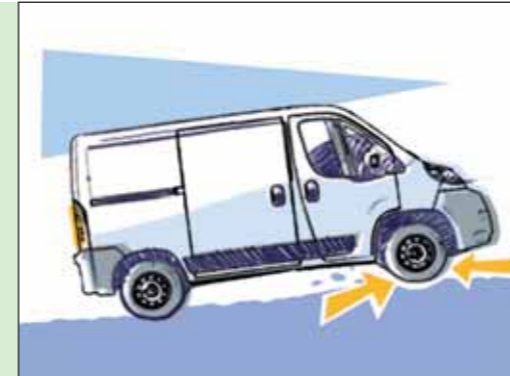
● This system prevents one or more of the wheels from locking in an emergency braking situation, provides greater grip and therefore better road-holding.

EBD – Electronic brake force distribution



● This electronic system splits the braking force between the front and rear axle, for greater braking efficiency in all driving situations.

ASR – Anti-slip system



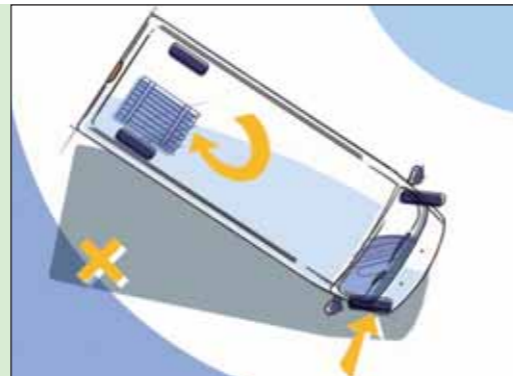
● This system counteracts slipping effects on one or both driving wheels in poor grip conditions, by applying the brakes and at the same time temporarily reducing the power delivered by the engine.

MBA – Mechanical brake assistance



● This system automatically increases the pressure in the braking circuit in emergency braking situations, by directly applying the servo-brake. If the vehicle is fitted with ESP, a similar function is provided by the HBA (Hydraulic Brake Assistance) system.

ESP – Electronic stability program



● This system intervenes in emergency situations, such as, for example, sudden swerves to avoid an obstacle. The system monitors parameters such as sideways acceleration, speed, grip and the angle of the steering wheel. It processes the data and, if necessary, acts on the engine torque and braking system to return the vehicle to conditions of perfect stability.

LAC – Electronic load adaptive control



● Part of the ESP system, this device monitors the vehicle load conditions when the vehicle is moving, particularly the total mass and the position of the centre of gravity. As these parameters vary, the system intervenes by calculating and applying new settings and intervention limits for the ABS, ASR and ESP functions, to ensure they always operate as efficiently as possible.

CUSTOMER BENEFITS

When you buy a new Fiat Professional Vehicle, you buy more than just a van. Behind every van we sell there is the reassurance of a whole range of customer benefits and services designed to make the ownership of your Fiat as enjoyable, affordable and trouble-free as possible.

3 YEAR FIATCARE WARRANTY PACKAGE

All new Fiat vans come with this comprehensive package, which consists of the following:

2 YEAR UNLIMITED MILEAGE, MANUFACTURER WARRANTY

Any repairs required as the result of faulty materials or manufacture are carried out free of charge – either for parts or labour.

3RD YEAR DEALER WARRANTY†

Any repairs required as the result of faulty materials or manufacture – either for parts or labour – are covered up to 120,000 miles (60,000 miles on passenger versions registered for hire & reward usage) from the date of first registration or the expiry of the 3rd year, whichever occurs first. The warranty is provided free of charge and is subject to conditions (full details are available from your Fiat dealer).

3 YEAR PAINTWORK WARRANTY

Any paintwork defects due to faulty materials or manufacture will be rectified free of charge during the first 3 years.

8 YEAR ANTI PERFORATION WARRANTY

Subject to regular inspections being carried out, as detailed in the Fiat Services Booklet, any perforation of the bodywork due to corrosion will be repaired free of all parts and labour charges during the first 8 years.

12 MONTHS PART AND REPAIR GUARANTEE

All genuine Fiat parts are guaranteed for 12 months, or the duration of the prevailing warranty on the vehicle, as are repairs carried out by any Fiat dealer using genuine parts.

FIXED SERVICE COSTS

All Fiat dealers operate a 'Menu Pricing' programme, which guarantees fixed service and replacement costs, with no hidden extras. The price you see is the price you'll pay, unless you have given your consent for further work to be carried out.

INFORMATION AND CUSTOMER SERVICE

A Pan-European toll free* number (00800 3428 0000) gives you access to our dedicated information and customer services facilities, providing you with details of Fiat dealers offering additional services, such as extended workshop hours, Auto Clinic and Approved Bodyshop facilities.

Fiat also believe it is important to stay in contact with you and will, subject to your agreement, telephone you from time to time to ensure you are happy with your Fiat and the service you receive from your dealer. You can also access information about Fiat products and services online on our comprehensive website www.fiatprofessional.co.uk.

INSURED PRODUCTS AND FIAT CUSTOMER BENEFITS

The following insured products and services are provided through Fiat Financial Services*.

1 YEAR'S AA ASSURANCE COVER

All new Fiats come with 1 year's AA Assurance cover, which includes Roadside Assistance, Home Start, Relay, Relay Plus, European Cover and Accident Management.

This insured service is provided on a free of charge basis and is available 24 hours a day, throughout the year. AA Assurance also provides free access to travel information, legal advice and technical information.

FIAT MOTOR INSURANCE

Comprehensive car insurance is available at competitive premiums, with up to 65% No Claims Bonus transferable from your existing policy after five consecutive years of claim free driving.

For a quotation, either ring 0870 241 3805, or visit online through www.fiat.co.uk

FINANCE PLANS

Fiat Financial Services offers a comprehensive range of financial plans to suit private and business customers alike. Fiat Finance Lease, Fiat Lease Purchase and traditional Hire Purchase can adapt to suit your individual requirements, whatever they may be.

For example, you may wish to include the cost of one of our Credit Protection Plans (both Payment Protection and Asset

Protection are available), which provides added security for you, your business and your investment. Your Fiat dealer will be pleased to design a specific plan for you.

Please ask for more information. Written quotations available on request. Finance is subject to status. A guarantee and / or indemnity may be required

FIAT CONTRACT HIRE†

- CONTRACT HIRE FOR THE BUSINESS USER

More and more businesses are turning to Contract Hire as a simple, tax efficient way of financing their fleet. Contract Hire allows the use of a vehicle for a pre-determined fixed period and cost (subject to mileage and conditions) and has many features and benefits that your Fiat dealer will be delighted to discuss with you.

At Fiat Contract Hire we also provide a full support service, including maintenance, relief vehicle, AA Assurance and accident management, saving you time to concentrate on running your business. For more information, please contact your Fiat dealer, or call 01753 486885.

Contract Hire finance facilities are available subject to credit approval. Written quotations are available from Fiat Contract Hire, 240 Bath Road, Slough, Berkshire, SL1 4DX.

†Only applicable to UK sourced vehicles from Fiat Group Automobiles UK Ltd.

*Pan-European Freephone number from all UK land lines. A minimum charge applies to calls made from mobiles based on network rates.

*Fiat Financial Services is a trading style of FGA Capital UK Ltd. FGA Capital UK Ltd is authorised and regulated by the Financial Services Authority for General Insurance.

†Fiat Contract Hire is a trading style of FGA Contracts UK Limited which is an appointed representative of FGA Capital UK Limited.

Performance figures supplied by Fiat Group Automobiles SpA.

Products offered for sale may differ from those described or illustrated in this brochure due to later production changes in specifications, components or place of manufacture. The contents of this brochure are therefore not to be treated as representations as to the current availability of products as described, or as to products actually offered for sale. Fiat Group Automobiles UK Ltd. reserves the right to make changes at any time, without notice, to prices, colours, materials, equipment, specifications and models and also to discontinue models. Variations in product specification do occur from time to time - please check the exact specification with the dealer at the time of order.

Fiat Group Automobiles UK Ltd, Fiat House, 240 Bath Road, Slough SL1 4DX

Ed. 02/09

www.fiatprofessional.co.uk

